



OAK POINTE

CAMBRIDGE SERIES

DIAMOND COLLECTION



★★★ *MADE IN THE USA* ★★★

The Cambridge Series is part of our Diamond Collection, designed and manufactured by Oak Pointe includes familiar & new products for stairways but with Oak Pointe's typical expanded options including parts for fireplaces, columns, kitchens and more. All components in this collection are for interior use only.

WHERE TRADITION AND INNOVATION CREATE EXCELLENCE

Custom components are an integral part of our business. Call for pricing on your designs for interior and exterior use.



*** MADE IN THE USA ***



Suggested Handrails
To complement Cambridge Series stair parts. For more selections of flat bottom and plowed handrails, see pages 237-239 in our catalog Edition 4.0.



Standard Thickness:

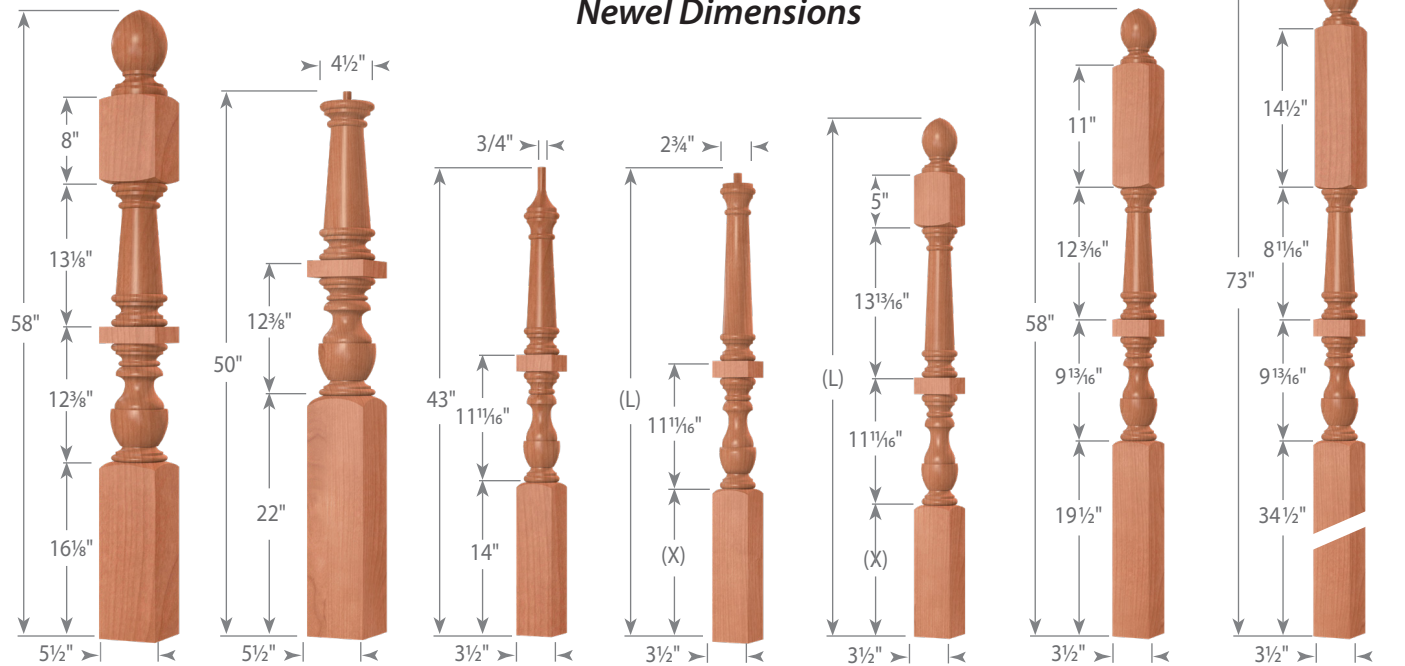
Baluster	1 3/4"
Newel	3 1/2"
Estate Newel	5 1/2"
Kitchen Island	3 1/2", 5"
Fireplace	4 1/2"

Other Widths Available

Featured Milling Option:

Twist	TW
Barley 1	BAR1
Urn Fluted	UF

Newel Dimensions



Post to Post Estate Newel 3490-550	Pin Top Estate Newel 3476-550	Pin Top Rake Newel 3473-350	Pin Top Newel Model (L) (X)	Post to Post Newel Model (L) (X)	2nd Floor Landing Newel 3485-350	Intermediate Landing Newel 3486-350
--	---	---------------------------------------	---------------------------------------	--	--	---

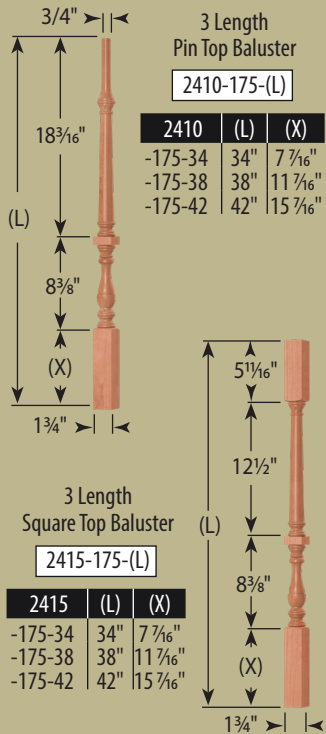
Model	(L)	(X)
3470-350	43"	14"
3474-350	50"	21"
3475-350	58"	29"
3477-350	65"	36"
3478-350	73"	44"

Model	(L)	(X)
3480-350	48"	12"
3482-350	58"	22"
3493-350	62"	26"
3495-350	73"	37"
3498-350	78"	42"

Post to Post Newels shown with Ashley Top (ASH). See all Post Post options on pages 276-278 in our catalog Edition 4.0.



Baluster Dimensions



See page 32 in our catalog Edition 4.0 for 3 Length Baluster orientation on treads



Wooden Dowel Pin

The bottom of each 3 length baluster is drilled and shipped with a loose wooden pin for installation.

Optional steel dowel screws also available.
Order #3076-100PK (pack of 100).

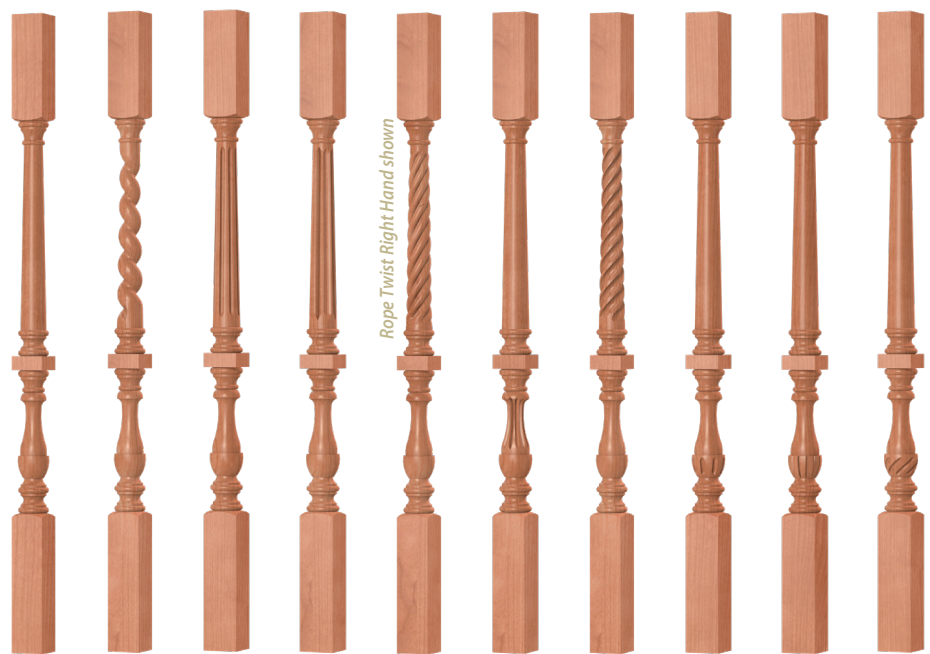
Milling Options	Barley 1	Fluted	Reeded	Rope Twist (LH)	Rope Twist (RH)	Tulip Reeded	Twist	Urn Fluted	Urn Reeded	Urn Twisted
Code	BAR1	F	R	RTLH	RTRH	TR	TW	UF	UR	UT

2410-175 Pin Top Balusters (1 3/4" wide)

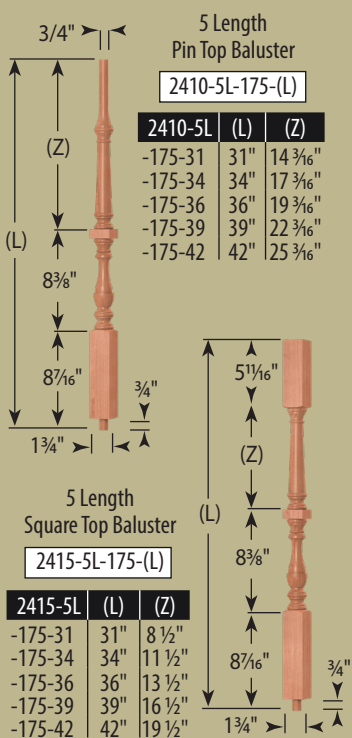


Plain -BAR1 -F -R -RTRH -TR -TW -UF -UR -UT

2415-175 Square Top Balusters (1 3/4" wide)



Plain -BAR1 -F -R -RTRH -TR -TW -UF -UR -UT



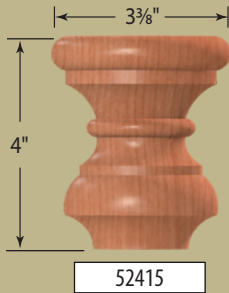
See page 32 in our catalog Edition 4.0 for 5 Length Baluster orientation on treads



*** MADE IN THE USA ***

Island Leg Example 102415-350-F/UF	Island Column 12415-350 12415-500	Bar Leg (footed) 122415-350	Island Leg (footed) 102415-350 102415-500	Table Leg (footed) 92415-350	Coffee Table Leg (footed) 82415-275	End Table Leg (footed) 72415-225	End Table Leg (w/stretcher block) 62415-225
---------------------------------------	---	--------------------------------	---	---------------------------------	--	-------------------------------------	--

Bun Foot



52415

Cambridge Series Bun Foot

For more Bun Feet selections, see pages 274-275 in our catalog Edition 4.0.

MILLING OPTIONS	CODE	Island Column	Legs	Bun Feet	Interior Post	Fireplace Column	Decorative Column
Barley 1	BAR1	✓	✓*		✓	✓	
Fluted	F	✓	✓		✓	✓	✓
Reeded	R	✓	✓		✓	✓	✓
Rope Twist	RTLH	✓	✓		✓	✓	✓
	RTRH	✓	✓		✓	✓	✓
Tulip Reeded	TR	✓	✓		✓	✓	✓
Twist	TW	✓	✓		✓	✓	✓
Urn Fluted	UF	✓	✓		✓	✓	✓
Urn Reeded	UR	✓	✓		✓	✓	✓
Urn Twisted	UT	✓	✓		✓	✓	✓

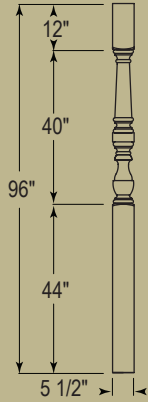
*Not available on 82415 Coffee Table Leg

Columns, Legs and Bun Feet Milling Options

Milling Options Details										
	Name	Barley 1	Fluted	Reeded	Rope Twist (LH)	Rope Twist (RH)	Tulip Reeded	Twist	Urn Fluted	Urn Reeded
Code	BAR1	F	R	RTLH	RTRH	TR	TW	UF	UR	UT



Interior Posts



Standard post size is 5 1/2" wide and 96" high.

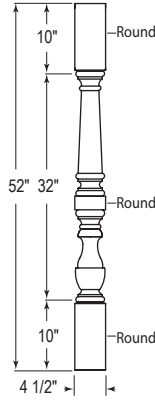


Interior Post Shown Plain

42415-550

Our columns and posts have not been tested for their weight bearing ability and therefore are sold as NON-weight bearing.

Fireplace Columns



Top and bottom blocks are round



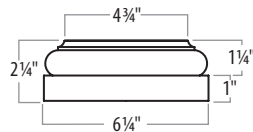
Fireplace Column Example

22415-450-R-TR/UR

Tuscan Base used for Cap and Base (optional)



Model No. BASETUS450



Fireplace Columns shown with Reeded, Tulip Reeded & Urn Reeded milling options.

See pages 288-289 in our catalog Edition 4.0 for more Fireplace Columns

Decorative Solid Round Columns



Decorative Solid Round Column Dimensions*

Column Size	550	750	950
Bottom Dia. "A"	5 1/2"	7 1/2"	9 1/2"
Top Dia. "B"	5 1/2"	7 1/2"	9 1/2"
Round Bottom Block Height "P"	2"	2 3/8"	3 3/8"
Round Top Block Height "Q"	1 1/2"	2"	2 1/2"
Standard Lengths (including cap & base)	6' 7' 8'	6' 7' 8' 9'	6' 10'
Cap & Base Included	Attic Base with Tuscan Base for Cap		

*Dimensions shown are after final field trimming of shaft bottom.

Base/Cap Dimensions

Tuscan Base Bottom Square Width "C"	9"	11"	13"
Attic Base Bottom Square Width "CC"	9"	11"	13"



Tuscan Base used for Cap



Attic Base

See page 284 for all Base and Cap dimensions

7 1/2" x 96" Cambridge Series Column with Cap and Attic Base Example

32415-750-96-TW/UT

NOTE: These columns are manufactured from solid blanks with face and edge grain.

See pages 282-283 in our catalog Edition 4.0 for more Columns



OAK POINTE

WHERE TRADITION AND INNOVATION CREATE EXCELLENCE

96 NEW PACE ROAD
NEWCOMERSTOWN
OHIO 43832

P 740.498.9820

F 740.498.9821

GENERAL INQUIRY

INFO@STAIRPARTSANDMORE.COM

QUOTE REQUESTS

QUOTES@STAIRPARTSANDMORE.COM

SUBMIT ORDERS

ORDERS@STAIRPARTSANDMORE.COM

Connect with us on:

