



# HARDWARE



★★★ *MADE IN THE USA* ★★★

WHERE TRADITION AND INNOVATION CREATE EXCELLENCE

Custom components are an integral part of our business. Call for pricing on your designs for interior and exterior use.





## Newel Mounting Kits

# NewelFast®

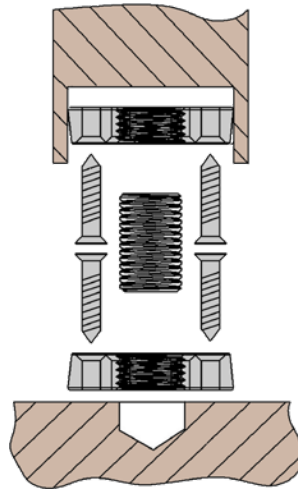
Model Number 3007-316

- Quick, Easy and Completely Concealed Installation
- Works on Round and Square Newels
- No Trim or Plugs Required
- No Special Tools
- Adjustable threaded stud for positioning newel
- 316 Marine Grade Stainless Steel



Package comes with two 1<sup>5</sup>/<sub>16</sub>" dia. metal disks, threaded stud and installation instructions. Requires 6 screws, not included, 3<sup>1</sup>/<sub>2</sub>" x #10 stainless steel deck screws suggested.

Watch our installation video on YouTube

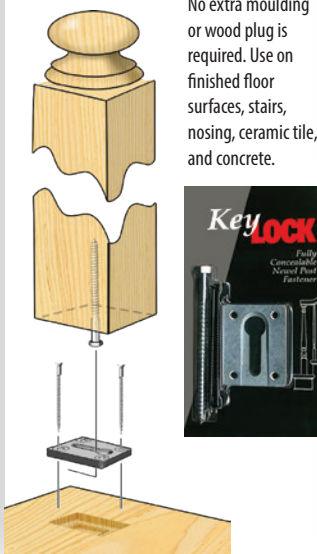


Shown in Oak Pointe product display



**3004 Newel Mounting Kit** is fully concealed when installed. Use on finished floors, starting steps or landings. Bolts and nuts are used to install steel insert. Newel is then fastened with hanger bolt into insert.

### 3005 The KeyLOCK™ Newel Post Fastener is fully concealable.



No extra moulding or wood plug is required. Use on finished floor surfaces, stairs, nosing, ceramic tile, and concrete.

### 3006 Newel Plate Fastener and 3006-KIT Newel Plate Fastener

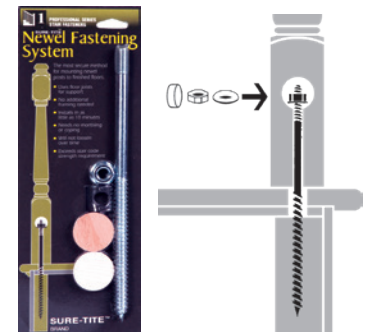
with Trim provides a simple method for installing posts under carpet, over concrete and over finished floors. 3006 comes with plates and screws. 3006-KIT comes with plate, screws, and trim for up to 3<sup>1</sup>/<sub>2</sub>" newel. Trim must be mitered and fit on the job- specify your wood species when ordering.



Plate is 3/16" thick x 4 5/8" square

### 3008 Sure-Tite™

**Newel Fastening System** has become the most widely used newel post fastener among stair professionals. With the Sure-Tite™, a newel post can be installed securely in as little as ten minutes. It will not loosen over time and it can be installed directly over any finished floor. Our fastener is packaged with a 10<sup>3</sup>/<sub>4</sub>" lag bolt, 1 washer, 1 nut and 2 plugs 1<sup>1</sup>/<sub>2</sub>" W- 1 Oak & 1 Maple.



### Flat Head Plugs

All of our flat head plugs are made from face grain and are available in all standard and custom wood species. Specify wood species when ordering:

1/2-FPLUG is a 1/2" flat head plug  
3024 is a pack of 100 1/2" flat head plug

1-FPLUG is a 5/16" thick x 1" flat head plug  
3025 is a pack of 25 1" flat head plugs

1-1/2-FPLUG is a 5/16" thick x 1 1/2" flat head plug



### Button Plugs

All of our button plugs are made from face grain and are available in:

- Beech
- Cherry
- Hard Maple
- Red Oak
- Poplar
- Walnut
- White Oak

Specify wood species when ordering:

1/2-BPLUG is a 1/2" button plug  
3026 is a pack of 50 buttons 1/2"





## Wall Rail Brackets

Our selection of Wall Rail Brackets includes a variety of styles, finishes and price points. On this page, the bracket setback (the measurement from the wall to the handrail centerline) is designated. Actual finish color may vary from the photographs.

Installers love these **HEAVY DUTY** brackets with our quality finishes. The single mounting hole allows these brackets to swivel to the angle of the rail during installation.



### Stainless Steel Wall Rail Brackets



Stainless steel wall rail brackets available. See our Modern Metal Collection section of this catalog.

- 601 Series** For flat bottom rails. 2¾" setback.
- 611 Series** For flat bottom rails. 3¾" setback.
- 606 Series** For round rails. 2¾" setback.

**3002 Series**  
For flat bottom rails. 2¾" setback. A popular choice in many quality finishes.

	Antique Brass (US5)	Oil Rubbed Bronze (US10B)	Bright Brass (US3)	Black (Rough Finish) (US19)	Black (Smooth Matte Finish)	Bright Chrome (US26)	Dull Chrome (US26D)	Satin Nickel (US15)	Satin Nickel Oxide (US15A)	White	Unfinished (to be painted)
For flat bottom rails 2¾" setback											
For flat bottom rails 3¾" setback	—	611-ABO	611-B	—	611-BLM	611-C	611-DC	611-N	611-NO	611-WHT	611-PLN
For round rails 2¾" setback	—	606-ABO	606-B	—	606-BLM	—	—	606-N	—	—	—
For flat bottom rails 2¾" setback				—						—	—

## Miscellaneous

### 3000 or 3079 Rail Bolt Kit (shown) or 3001 Rail Bolt

Model 3001 is just the rail bolt while model 3079 includes rail bolt, plastic washer, nut and 1" plug (specify species). 3000 includes all parts except the plug. Use to attach handrail to: handrail, newel, wall, fitting; or fitting to fitting.



### SPRING BOLT™ KITS for full round handrail

- 3090 for 1-1/2" to 1-3/4" diameter handrails
- 3091 for >1-3/4" to 2-1/2" diameter handrails

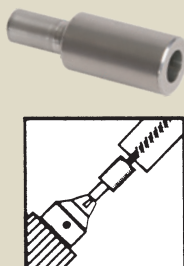


3085 Mini Lock used to fasten handrail to newel post for a fully concealed installation. 1¼" diameter plates.

**3078 Rail and Post Fastener**  
Kit to attach newels to stair risers or handrail. Specify wood species for 1" plug.



**3033 Dowel Screw Driver** attaches to your drill and is threaded to accept dowel screws. This is a great accessory to quickly drive steel dowel screws into predrilled balusters.



**3076 Steel Dowel Screw**  
Individual threaded dowel screw 5/16" diameter x 2½" long.  
3076-50PK Pack of 50  
3076-100PK Pack of 100

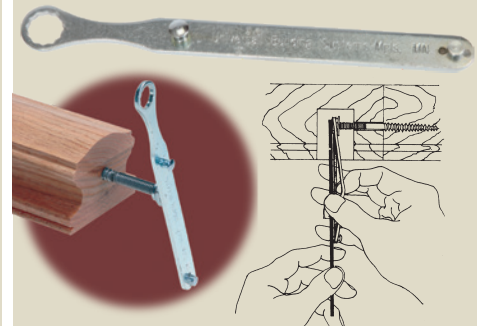


**BALUSTER PINS**  
Base: 3/4" D x 1/2" L  
Ships standard with 3-Length Balusters



### 901 Rail Bolt Wrench

It automatically threads the nut onto a rail bolt with the aid of a simple rubber band. It also helps to easily install the bolt and its special design allows for access to the nut for tightening.





# OAK POINTE

WHERE TRADITION AND INNOVATION CREATE EXCELLENCE

96 NEW PACE ROAD  
NEWCOMERSTOWN  
OHIO 43832

P 740.498.9820

F 740.498.9821

**GENERAL INQUIRY**

INFO@STAIRPARTSANDMORE.COM

**QUOTE REQUESTS**

QUOTES@STAIRPARTSANDMORE.COM

**SUBMIT ORDERS**

ORDERS@STAIRPARTSANDMORE.COM

Connect with us on:

