

Lisbon Series

EUROPEAN COLLECTION

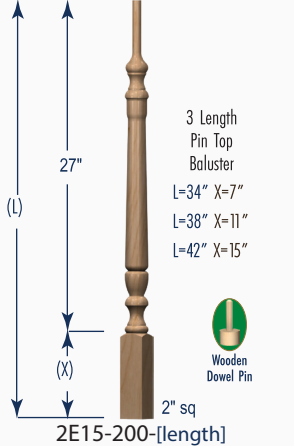
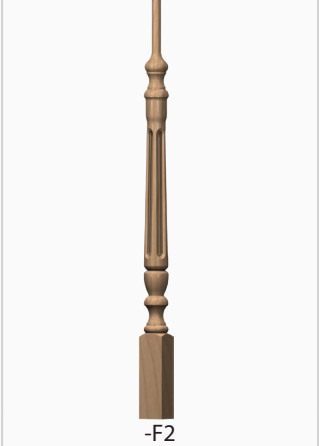
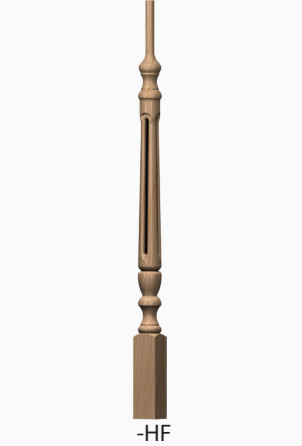
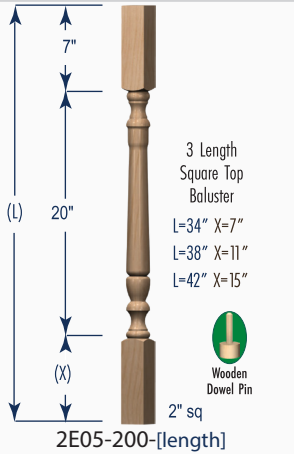
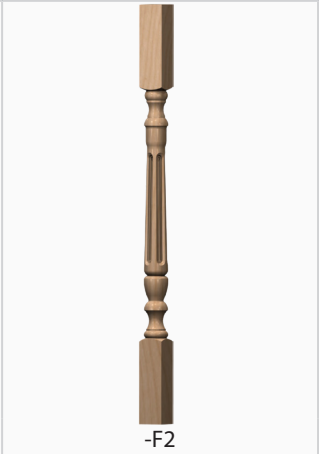

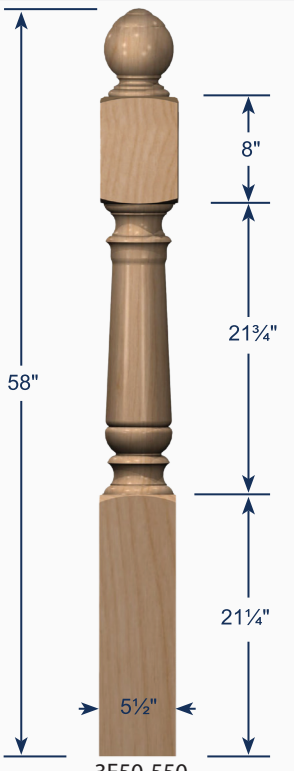


STAIR PARTS • LEGS • COLUMNS

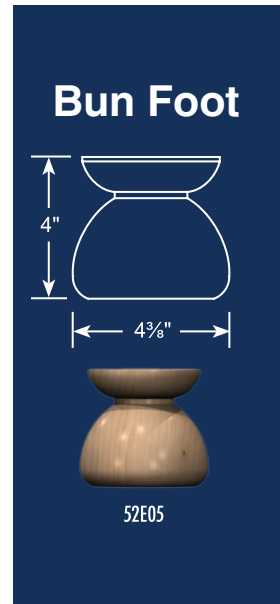


Lisbon Series

The Lisbon Series is part of our **European Collection**, designed and manufactured by Oak Pointe includes familiar & new products for stairways but with Oak Pointe's typical expanded options including parts for fireplaces, columns, kitchens and more. All components in this collection are for *interior use only*.

Balusters & Newels

Plain	Flute with Hip	Hollow Flute
2E15 PIN TOP BALUSTERS		
 <p>3 Length Pin Top Baluster L=34" X=7" L=38" X=11" L=42" X=15"</p> <p>27" (L) (X) 2" sq 2E15-200-[length]</p> <p>Wooden Dowel Pin</p>	 <p>-F2</p>	 <p>-HF</p>
2E05 SQUARE TOP BALUSTERS		
 <p>3 Length Square Top Baluster L=34" X=7" L=38" X=11" L=42" X=15"</p> <p>7" 20" (L) (X) 2" sq 2E05-200-[length]</p> <p>Wooden Dowel Pin</p>	 <p>-F2</p>	 <p>-HF</p>
3E50 ESTATE NEWELS		
 <p>58" 8" 21 3/4" 21 1/4" 5 1/2" 3E50-550</p>	 <p>-F2</p>	 <p>-HF</p>



Suggested Handrails: To complement Lisbon Series stair parts. For more selections of flat bottom and plowed handrails, see catalog Edition 3.0 pages 263-265.



6310 (Pin Top only)



6400



6519



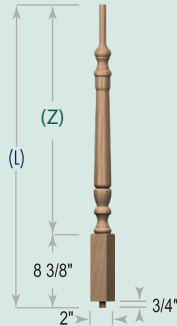
6710 (Pin Top only)



6910

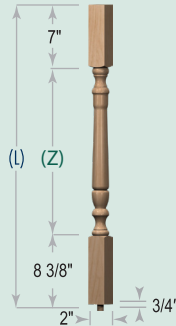
5 Length Baluster Dimensions

2E15-5L-200-[Length]
Pin Top Baluster



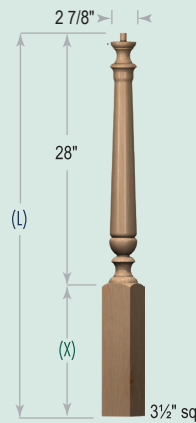
- L=31" (Z)=22⁵/₈"
- L=34" (Z)=25⁵/₈"
- L=36" (Z)=27⁵/₈"
- L=39" (Z)=30⁵/₈"
- L=42" (Z)=33⁵/₈"

2E05-5L-200-[Length]
Square Top Baluster



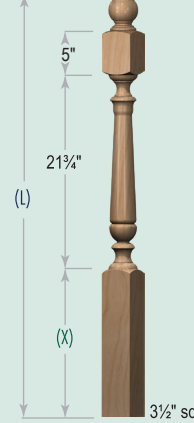
- L=31" (Z)=15⁵/₈"
- L=34" (Z)=18⁵/₈"
- L=36" (Z)=20⁵/₈"
- L=39" (Z)=23⁵/₈"
- L=42" (Z)=26⁵/₈"

Newel Dimensions



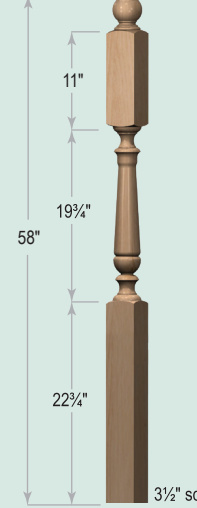
Pin Top Newel

- | | | |
|------|-------|-------|
| 3E10 | L=43" | X=15" |
| 3E14 | L=50" | X=22" |
| 3E15 | L=58" | X=30" |
| 3E17 | L=65" | X=37" |
| 3E18 | L=73" | X=45" |

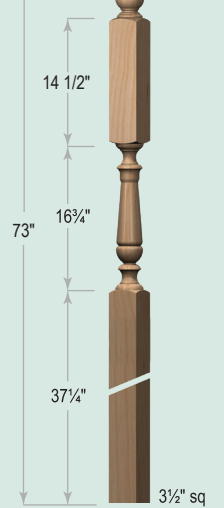


Post to Post Newel

- | | | |
|------|-------|-----------|
| 3E40 | L=48" | X=16 3/4" |
| 3E42 | L=58" | X=26 3/4" |
| 3E53 | L=62" | X=30 3/4" |
| 3E55 | L=73" | X=41 3/4" |
| 3E58 | L=78" | X=46 3/4" |



2nd Floor Landing Newel
3E45



Intermediate Landing Newel
3E46

Post to Post Newels shown with Athena Ball Top (ATH). See catalog Edition 3.0 for all Post Top options on pages 300-302.

Post Tops

Venus



VEN

Athena



ATH

Choose either for
your newels

Standard Thickness:

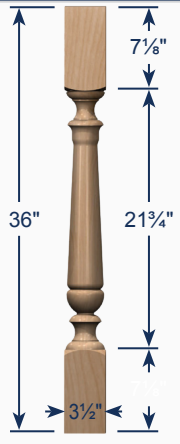









Baluster	2"
Newel	3 1/2"
Estate Newel	5 1/2"
Kitchen Island	3 1/2"
Fireplace	4 1/2"

Other Widths Available



Featured Milling Option:

Hollow Flute	HF
--------------	----

Kitchen Island, Fireplace & Decorative Columns

Plain	Flute w/Hip	Hollow Flute
KITCHEN ISLAND COLUMNS		
 <p>36" (Total Height) 7 1/8" (Cap Height) 21 3/4" (Shaft Height) 3 1/2" (Base Width)</p> <p>12E05-350</p>	 <p>12E05-350-F2</p>	 <p>12E05-350-HF</p>
ESTATE KITCHEN ISLAND COLUMNS		
 <p>36" (Total Height) 7 1/8" (Cap Height) 21 3/4" (Shaft Height) 5" (Base Width) 7 1/8" (Base Flange Height)</p> <p>12E05-500</p>	 <p>12E05-500-F2</p>	 <p>12E05-500-HF</p>
FIREPLACE COLUMNS		
 <p>52" (Total Height) 10" (Cap Height) 32" (Shaft Height) 4 1/2" dia. (Base Diameter)</p> <p>22E05-450</p>	 <p>22E05-450-F2</p>	 <p>22E05-450-HF</p>
<p>Optional FIREPLACE COLUMN CAP/BASE:</p>  <p>2 1/4" (Cap/Flange Height) 6 1/4" (Base Width)</p> <p>BASETUS450</p>		

Our Columns have not been tested for their weight bearing ability and therefore are sold as NON-Weight bearing.

Plain	Flute with Hip					
COLUMNS SHOWN WITH CAP AND ATTIC BASE						
 <p>4 3/4" (Cap Height) C (Cap Width) B (Attic Base Width) A (Base Width) 6 1/2" (Base Height) CC (Base Width)</p> <p>32E05-750-96</p>	 <p>32E05-750-96-F2</p>					
DECORATIVE SOLID ROUND COLUMN DIMENSIONS						
Shaft, Cap and Base Dimensions						
	Top	Square Cap Width "C"	Plinth Width "CC"	Cap & Base Included	Standard Lengths (including cap & base)	
550	5 1/2"	9"	9"	Attic Base w/ Tuscan Base for Cap	6', 7', 8'	
750	7 1/2"	11"	11"	Attic Base w/ Tuscan Base for Cap	6', 7', 8', 9', 10'	
950	9 1/2"	13"	13"	Attic Base w/ Tuscan Base for Cap	6', 7', 8', 9', 10'	

Common to Extraordinary Stair Parts, Columns and other Millwork

Stair Parts

Iron Balusters

Stainless Steel

Cable & Glass Systems

Table Legs, Pedestals & Bun Feet

Island & Fireplace Columns

Tapered & No Tapered Columns

Columns for any Application

Finials & Carvings

Corbels & Mouldings

Novelty Items & Store Fixtures

Custom & Large Turnings

Interior & Exterior Applications

... and MORE!



www.StairPartsandMore.com

96 New Pace Road | Newcomerstown, Ohio 43832

P 740.498.9820 | F 740.498.9821

quotes@stairpartsandmore.com | orders@stairpartsandmore.com

Connect with us on:

