



# OAK POINTE

WHERE TRADITION AND INNOVATION CREATE EXCELLENCE

## Modern Metal Made Easy Quote Checklist

96 New Pace Rd | Newcomerstown, OH 43832 | P 740.498.9820  
Submit quote requests: quotes@stairpartsandmore.com

Name: \_\_\_\_\_

Company: \_\_\_\_\_

Store Location: \_\_\_\_\_

Job Name: \_\_\_\_\_

Date: \_\_\_\_\_ Phone #: \_\_\_\_\_

# 1

### Drawings:

Provide the **\*Plan View** (architect drawings) or **Sketch** of the stairway or deck with dimensions. Include Elevation View if available.

### Attachments Included:

- \*Plan View or Sketch** (Required)
- Elevation View
- Additional Photos

# 2

### Location: Select one

- Interior Use
- Exterior Use

# 3

**Handrail Height**- Default values will be used if none provided, but your quote will change if changed later

**Minimum Rake Height** \_\_\_\_\_

**Minimum Level Height** \_\_\_\_\_

**Default Values**  
**34"**  
**36"**

# 4

### Stringer:

- Open Stringer
- Closed Stringer (Kneewall) Width: \_\_\_\_\_  
*See image in box 5*

If kneewall is not wide enough for desired newel, choose an option:

- Kneewall to be built out to be wide enough by customer
- Kneewall will be removed

**Kneewall must be at least wide enough to accommodate base flange of newel:**

2" Sq. SS Newels: 5 1/8" w min  
 1.57" Sq. SS Newels: 2.76" w min  
 1.5" Rd. Newels: 2 1/8" w min

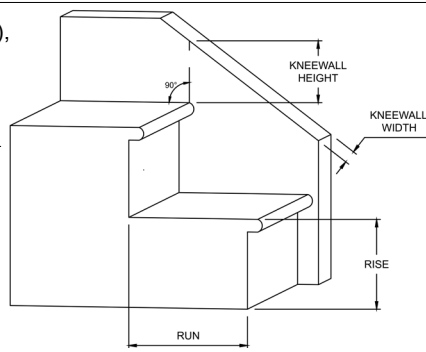
# 5

If closed stringer (kneewall), provide height

Height: \_\_\_\_\_

*\*NOTE: not required for quote, but required with order*

**NOTE:** When measuring the height of the kneewall measure from the top of the tread nosing.



# 6

### Rise and Run:

*See image in box 5*

Rise: \_\_\_\_\_

Run: \_\_\_\_\_

*\*NOTE: not required for quote, but required with order*

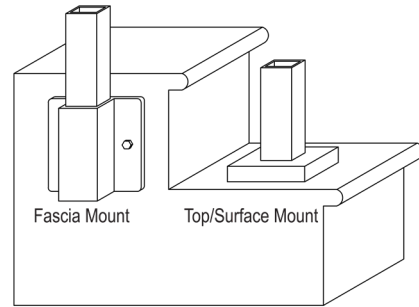
# 7

## Newels:

- 1. Stainless Steel**
  - a. Square** – Size Options
    - 1.57" (not for cable)
    - 2"
  - b. Round** (call for availability) – Size Options
    - 1.5" (not for cable)
    - 1.9"
  - c. Rectangular** (call for availability)

**NOTE:** All Stainless Steel or Aluminum Newels will be quoted for machining by Oak Pointe and will arrive to the job site ready for installation unless otherwise requested.

- 2. Wood** (must be minimum of 3.5" square for cable systems)
  - a. Model Number: \_\_\_\_\_  
**OR** Sketch/Photo for Custom Style
  - b. Wood Species:
    - Option 1: \_\_\_\_\_
    - Option 2: \_\_\_\_\_
- 3. Mounting** (see image to the right)
  - a. Fascia Mount
  - b. Top/Surface Mount



# 8

## Handrail:

- 1. Stainless Steel**
  - a. Square**
    - Size Options:
    - 1.57"
    - 2" (limited connectors available, may require welding in the field)
  - b. Round**
    - Size Options (call for availability):
    - 1.5"
    - 1.9"
  - c. Rectangular**
    - Size Options (call for availability):
    - 2.36" W x .78" H
    - 2.36" W x 1.18" H (no connectors available)

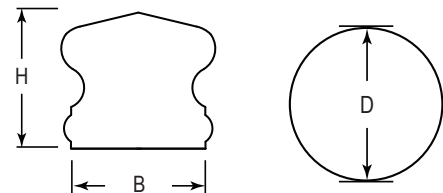
- 2. Wood (2" x 2" Minimum for use with cable)**
  - a. Model Number: \_\_\_\_\_ **OR** Sketch/Photo for Custom Style
  - b. Wood Species:
    - Option 1: \_\_\_\_\_
    - Option 2: \_\_\_\_\_

- 3. Handrail to be provided by customer. When applicable, this informations is required.**

Height: \_\_\_\_\_

Bottom Flat Width: \_\_\_\_\_

Diameter: \_\_\_\_\_



# 9

## 1.57" Square handrail connection style:

**Top mount brackets** (Default)



**Flush connections** (Not available for cable. Requires the use of 1.57" newels & 1.57" handrail. Also not available for use with systems that have rakes that require intermediate newels.)



# 10

## Infill:

**1. Round Bar/Tubes**

**a. 1/2" Solid** (Stainless Steel Only)

**2. Flat Bar** (not for round Newels)

**4. Glass Clamps**

(Glass not provided by Oak Pointe)

Glass Thickness: \_\_\_\_\_ See catalog and also specify tempered or laminated

**IMPORTANT:** If there is a bottom rail, infill height is needed.

(Measure from the bottom of the top rail to the top of the bottom rail.)

Infill Height: \_\_\_\_\_

**b. 1/2" Hollow** – Options

Stainless Steel

Satin Black (SAT) - Iron

Ash Grey (AG) - Iron

**c. 5/8" Hollow** – Options

Stainless Steel

Satin Black (SAT) - Iron

Ash Grey (AG) - Iron

**3. Cable** – Size Options

1/8" Diameter

3/16" Diameter

# 11

## Cable Braces:

**1. Stainless Steel**

**2. Aluminum** (not recommended for interior use)

**3. Wood Cable Braces**

(Mission Series Balusters)

5060-125 (1.25")       5360-150 (1.5")

5360-175 (1.75")       5360-200 (2")

**NOTE:** Cable needs to be supported a minimum of every 48".

# 12

## Custom Powder Coating (optional)

See our catalog Edition 4.0 Modern Metal Collection pg. 210.

Color Choice: \_\_\_\_\_

### Select component(s) to have Powder Coated.

Newels

Infill (not available for cable or fittings)

Handrail

Cable Braces