

# Vienna Series

EUROPEAN COLLECTION

STAIR PARTS • LEGS • COLUMNS



## Vienna Series

The Vienna Series is part of our **European Collection**, designed and manufactured by Oak Pointe includes familiar & new products for stairways but with Oak Pointe's typical expanded options including parts for fireplaces, columns, kitchens and more. All components in this collection are for *interior use only*.

# Balusters & Newels

Plain	Pineapple Ball	Reeded Ball	Twisted Ball
<b>5E00 PIN TOP BALUSTERS</b>			
<p>3 Length Pin Top Baluster L=34" X=7" L=38" X=11" L=42" X=15"</p> <p>5E00-200-[length]</p>			
	-PB	-RB	-TB
<b>5E05 SQUARE TOP BALUSTERS</b>			
<p>3 Length Square Top Baluster L=34" X=7" L=38" X=11" L=42" X=15"</p> <p>5E05-200-[length]</p>			
	-PB	-RB	-TB
<b>4E50 ESTATE NEWELS</b>			
<p>4E50-550</p>			
	-PB	-RB	-TB

**Standard Thickness:**

Baluster	2"
Newel	3 1/2"
Estate Newel	5 1/2"
Kitchen Island	3 1/2"
Fireplace	4 1/2"

Other Widths Available

**Featured Milling Option:**

Reeded Ball	RB
-------------	----

**Post Tops**

Venus



VEN

Athena



ATH

Choose either  
for your newels

**Suggested Handrails:** To complement Vienna Series stair parts. For more selections of flat bottom and plowed handrails, see pages 263-265 in our catalog Edition 3.0.



6310 (Pin Top Only)



6400



6519



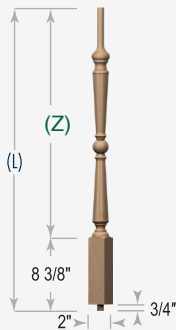
6710 (Pin Top Only)



6910

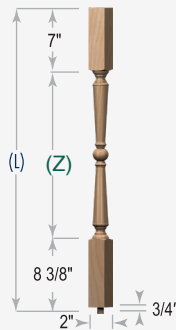
**5 Length Baluster Dimensions**

5E00-5L-200-[Length]  
Pin Top Baluster



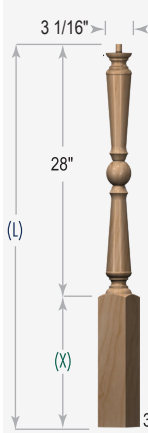
L=31"	Z=22 5/8"
L=34"	Z=25 5/8"
L=36"	Z=27 5/8"
L=39"	Z=30 5/8"
L=42"	Z=33 5/8"

5E05-5L-200-[Length]  
Square Top Baluster

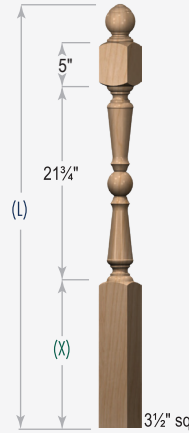


L=31"	Z=15 5/8"
L=34"	Z=18 5/8"
L=36"	Z=20 5/8"
L=39"	Z=23 5/8"
L=42"	Z=26 5/8"

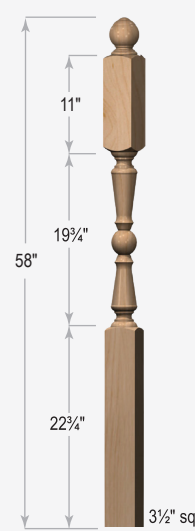
**Newel Dimensions**



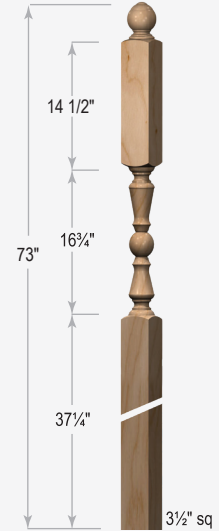
Pin Top Newel		
4E70	L=43"	X=15"
4E74	L=50"	X=22"
4E75	L=58"	X=30"
4E77	L=65"	X=37"
4E78	L=73"	X=45"



Post to Post Newel		
4E00	L=48"	X=16 3/4"
4E04	L=58"	X=26 3/4"
4E53	L=62"	X=30 3/4"
4E55	L=73"	X=41 3/4"
4E58	L=78"	X=46 3/4"





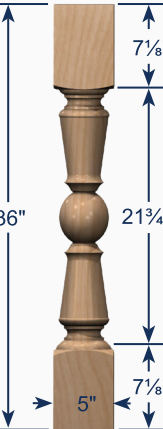



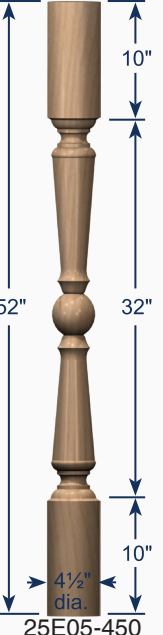



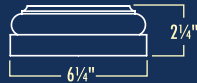


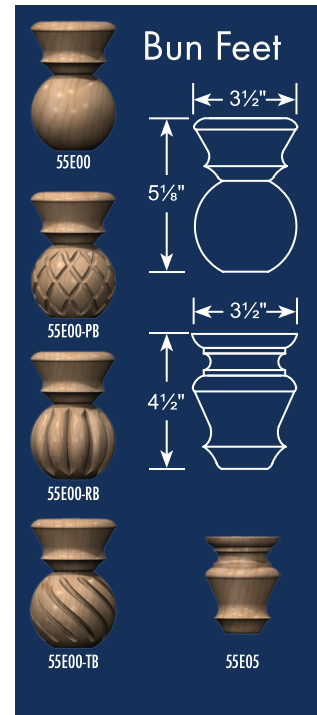
2nd Floor Landing Newel  
4E03



Intermediate Landing Newel  
4E05

Post to Post Newels shown with Athena Ball Top (ATH). See all Post Top options on pages 300-302.

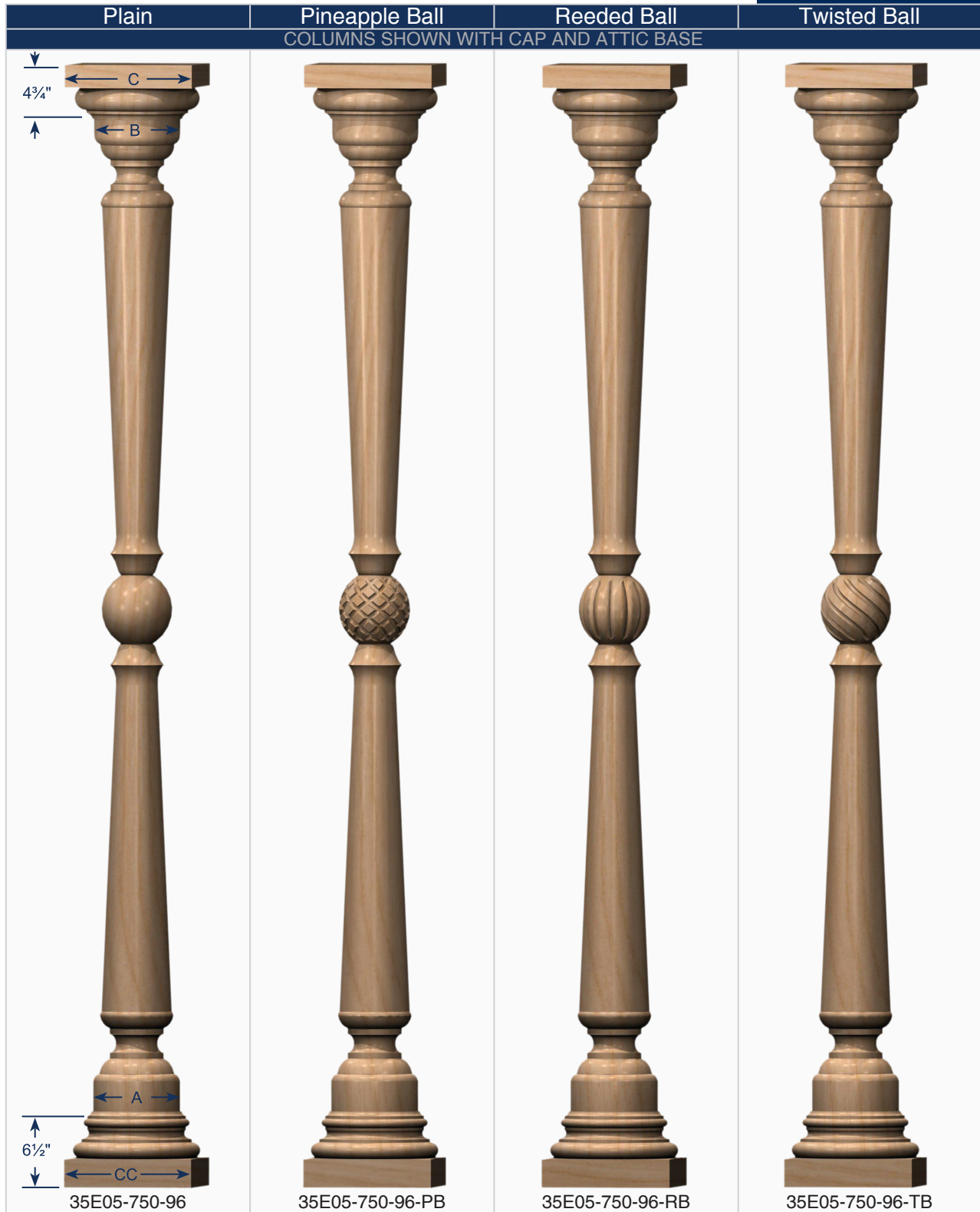
Plain	Pineapple Ball	Reeded Ball	Twisted Ball
<b>KITCHEN ISLAND COLUMNS</b>			
 <p>36" 7 1/8" 21 3/4" 3 1/2" 7 1/8"</p> <p>15E05-350</p>	 <p>15E05-350-PB</p>	 <p>15E05-350-RB</p>	 <p>15E05-350-TB</p>
<b>ESTATE KITCHEN ISLAND COLUMNS</b>			
 <p>36" 7 1/8" 21 3/4" 5" 7 1/8"</p> <p>15E05-500</p>	 <p>15E05-500-PB</p>	 <p>15E05-500-RB</p>	 <p>15E05-500-TB</p>
<b>FIREPLACE COLUMNS</b>			
 <p>52" 10" 32" 4 1/2" dia 10"</p> <p>25E05-450</p>	 <p>25E05-450-PB</p>	 <p>25E05-450-RB</p>	 <p>25E05-450-TB</p>
<p>Optional FIREPLACE COLUMN CAP/BASE: BASETUS450</p>  <p>2 1/4" 6 1/4"</p>			



Larger view of the Plain Ball Kitchen Island Column shown painted with customer applied marble faux finish.

# Decorative Full-Size Columns

Vienna Series  
EUROPEAN COLLECTION



## DECORATIVE SOLID ROUND COLUMN DIMENSIONS

Shaft, Cap and Base Dimensions

Column Size	Bottom Diameter "A"	Top Diameter "B"	Square Cap Width "C"	Plinth Width "CC"	Cap & Base Included	Standard Lengths (including cap & base)
550	5 1/2"	5 1/2"	9"	9"	AtticBasewithTuscanBaseforCap	6', 7', 8'
750	7 1/2"	7 1/2"	11"	11"	AtticBasewithTuscanBaseforCap	6', 7', 8', 9', 10'
950	9 1/2"	9 1/2"	13"	13"	AtticBasewithTuscanBaseforCap	6', 7', 8', 9', 10'

Our Columns have not been tested for their weight bearing ability and therefore are sold as NON-Weight bearing.



# *Common to Extraordinary* Stair Parts, Columns and other Millwork

Stair Parts

Iron Balusters

Stainless Steel

Cable & Glass Systems

Table Legs, Pedestals & Bun Feet

Island & Fireplace Columns

Tapered & No Tapered Columns

Columns for any Application

Finials & Carvings

Corbels & Mouldings

Novelty Items & Store Fixtures

Custom & Large Turnings

Interior & Exterior Applications

... and MORE!



[www.StairPartsandMore.com](http://www.StairPartsandMore.com)

96 New Pace Road | Newcomerstown, Ohio 43832

P 740.498.9820 | F 740.498.9821

[quotes@stairpartsandmore.com](mailto:quotes@stairpartsandmore.com) | [orders@stairpartsandmore.com](mailto:orders@stairpartsandmore.com)

Connect with us on:

